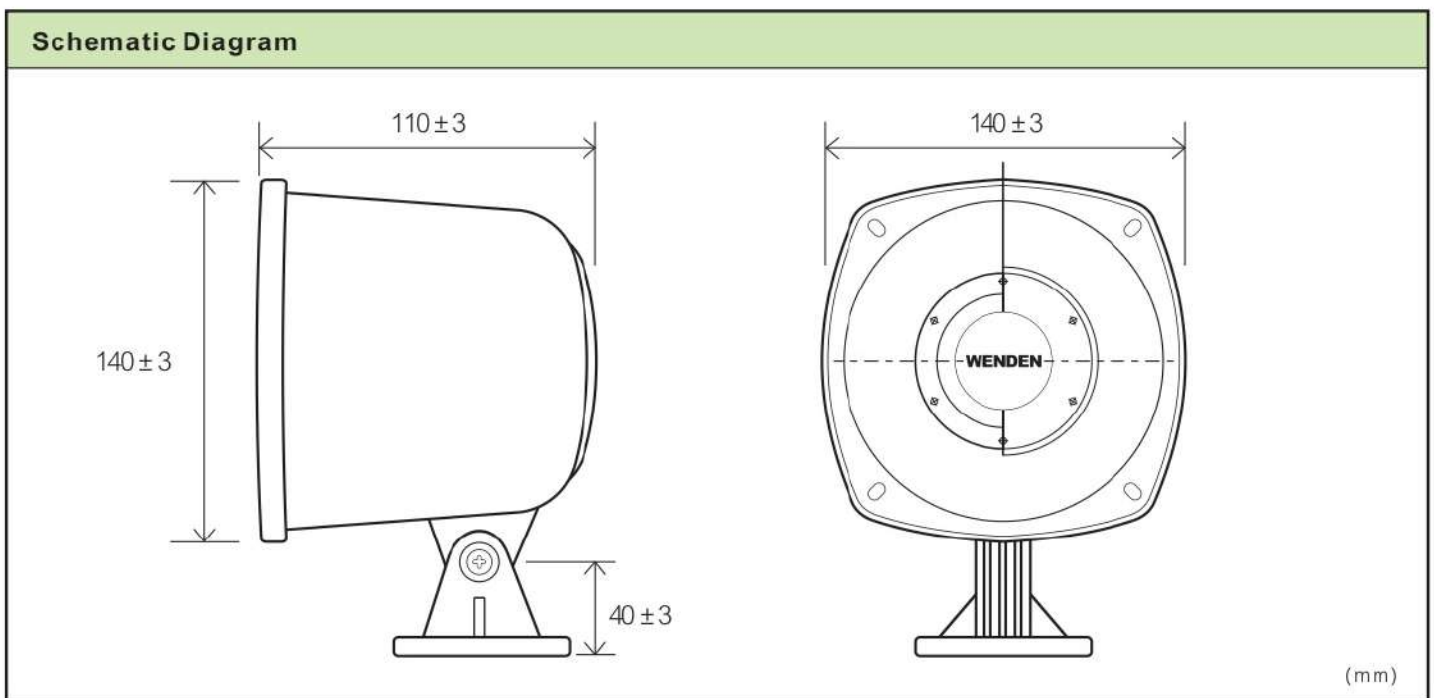


Model WDO-15


Specifications	
Input Power	15W
Impedance	8Ω ± 15%
S.P. Level	92dB/w ± 3dB
Response	450Hz ± 90Hz ~ 9000Hz (-10dB MAX)
Operation	Must be normal at program Source 15W
Buzz. Rattle. etc	Must be normal at Sine Wave
Load Test	White noise 15W 5Hours
Distortion	5% MAX 1000Hz 15W
Color	White
Cable	1500mm ± 50mm (PVC 22AGW x 2)
Weight	800 ± 100g
Material	Horn made of weather-resistant ASA resin



Wenden Radio Co., Ltd.
 No.34 Fozhong Rd., Kaohsiung 806,
 Taiwan

T E L : + 886-7-8213101
 F A X : + 886-7-8418649
 E-Mail : info@wenden.com.tw

www.wenden.com.tw

 **NOTE** All specifications are provisional and Subject to change without notice or obligation

For details, please contact: